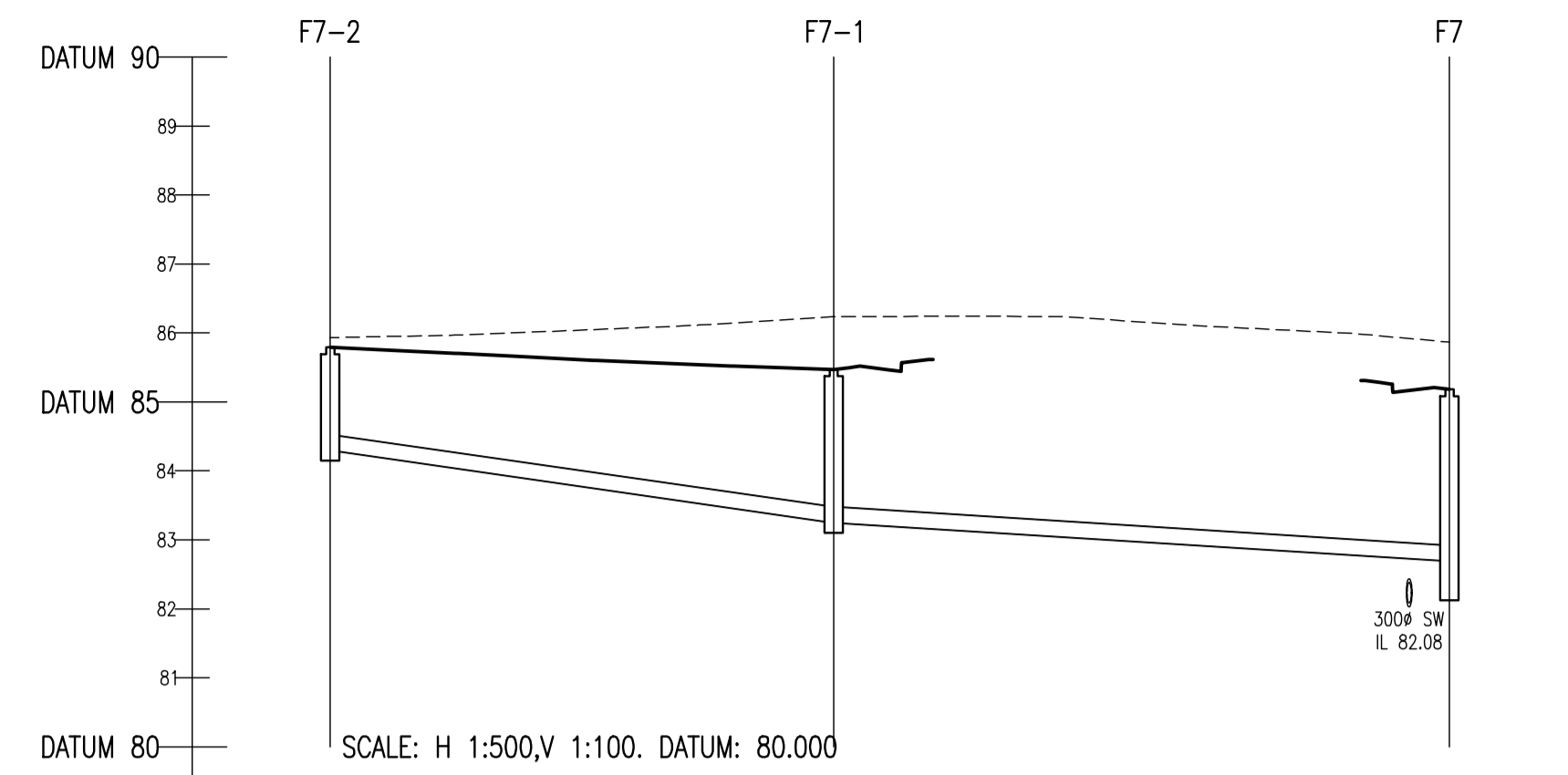
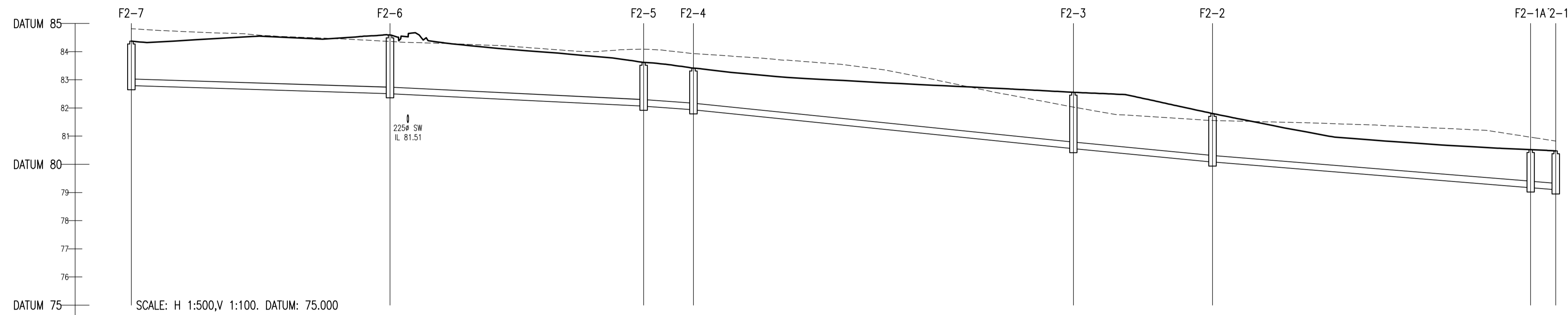


COVER LEVEL	84.620	85.175	85.811
INVERT LEVEL	83.576	83.159	82.994
DEPTH (m)	1.044	2.016	2.817
DISTANCE (m)		33.82	12.73
PIPE SLOPE		1:81	1:77
PIPE SIZE		225mm	225mm



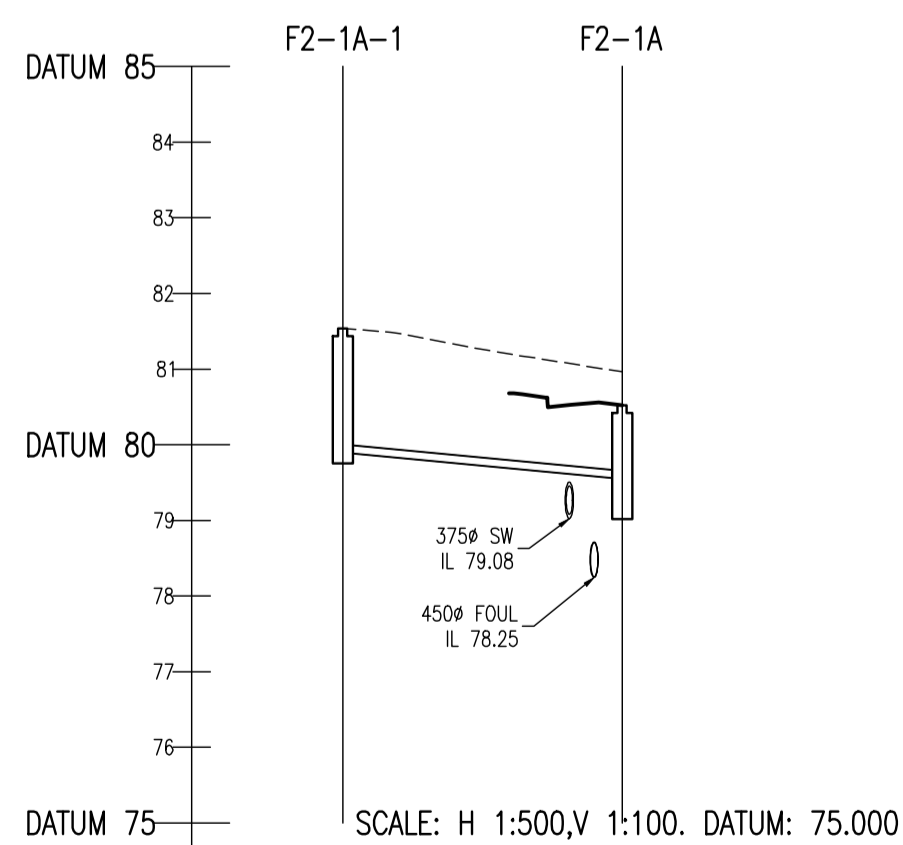
COVER LEVEL	85.791	85.472	85.184
INVERT LEVEL	84.300	83.250	82.692
DEPTH (m)	1.491	2.222	2.909
DISTANCE (m)		36.51	44.65
PIPE SLOPE		1:35	1:80
PIPE SIZE		225mm	225mm

1. ALL DRAWINGS TO BE CHECKED BY CONTRACTOR ON SITE AND ENGINEER INFORMED OF DISCREPANCIES BEFORE WORK COMMENCES
2. ALL LEVELS ARE IN METRES AND ARE RELATED TO ORDNANCE DATUM
3. CONTRACTOR SHALL SATISFY HIMSELF AS TO THE ACCURACY OF PAVEMENT LEVELS ON SITE PRIOR TO COMMENCEMENT OF WORKS ON SITE
4. ALL WORKS TO BE CONSTRUCTED IN ACCORDANCE WITH THE NRA SPECIFICATION FOR ROAD WORKS UNLESS NOTED OTHERWISE
5. THIS DRAWING IS FOR PLANNING PURPOSES ONLY
6. MANHOLE COVER LEVELS ARE TO CONFORM WITH FINISHED ROAD AND PATH LEVELS
7. WHERE COVER TO PIPE IS LESS THAN 1200mm (ROAD/PATH/VERGE) OR 800mm (OPEN SPACE) SURROUND PIPE IN MINIMUM 150mm CONCRETE



COVER LEVEL	84.374	84.590	83.619	83.414	82.556	81.804	80.519	80.477
INVERT LEVEL	82.800	82.510	82.070	81.940	82.560	80.085	79.171	78.019
DEPTH (m)	1.574	2.080	1.549	1.474	1.986	1.719	1.353	1.378
DISTANCE (m)		46.00	45.11	8.86	67.57	24.75	56.58	4.45
PIPE SLOPE		1:159	1:103	1:68	1:49	1:52	1:62	1:62
PIPE SIZE		225mm	225mm	225mm	225mm	225mm	225mm	225mm

KEY
 - - - - - EXISTING GROUND PROFILE
 _____ PROPOSED GROUND PROFILE



COVER LEVEL	81.536	80.519
INVERT LEVEL	79.900	79.550
DEPTH (m)	1.636	1.353
DISTANCE (m)		18.47
PIPE SLOPE		1:53
PIPE SIZE		100mm

P01	04-11-19	ISSUED FOR PLANNING	JIB	BK
rev	date	description	by	chkd.
		A - Approved		
		B - Approved with comments		
		C - Do not use		
client approval				
suitability		issue purpose		
S2 - INFORMATION		PLANNING		

DBFL Consulting Engineers
 Civil, Structural & Transportation Engineering
 www.dbfl.ie

DUBLIN OFFICE Ormond House, Upper Ormond Quay, Dublin 7, Ireland
 PHONE +353 1 400 4000
 WATERFORD OFFICE Unit 2, The Chandlery, 1-2 O'Connell Street, Waterford, Ireland
 PHONE +353 51 309 500

project ref.
RESIDENTIAL DEVELOPMENT SCHOLARSTOWN
 drawing title
FOUL SEWER LONGSECTIONS
 architect
JOHN FLEMING ARCHITECTS

designed by	author	scale	sheet size
BK	JIB	AS NOTED	A1
drawing no.	SCH-DBF-ZZ-XX-DR-C-3122	revision	P01